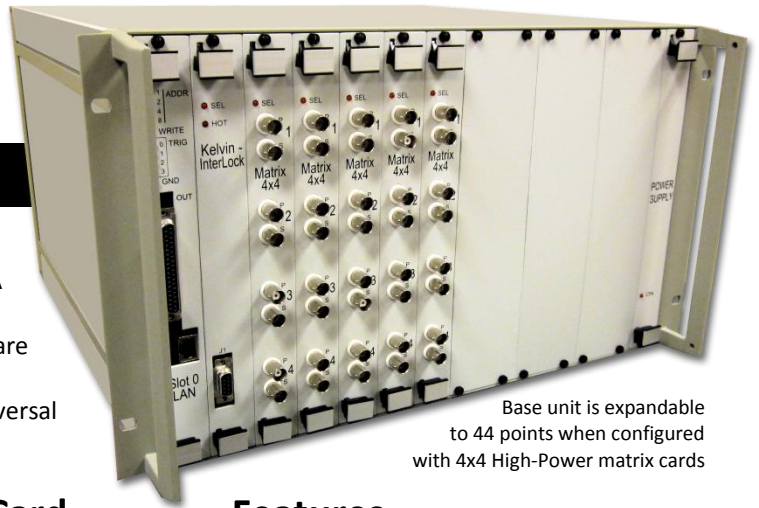


303Mx

HIGH POWER MATRIX SYSTEM

The SemiTek 303Mx High-Power Switch Matrix System features plug-in matrix cards capable of handling up to 50A and up to 1500VDC. Multiple rack-mount cages allow the system to be configured with any number of points and share four (4) high power busses. Any point can be individually addressed as a Source, Meter or DUT point providing a universal matrix.

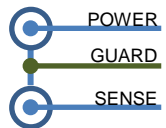
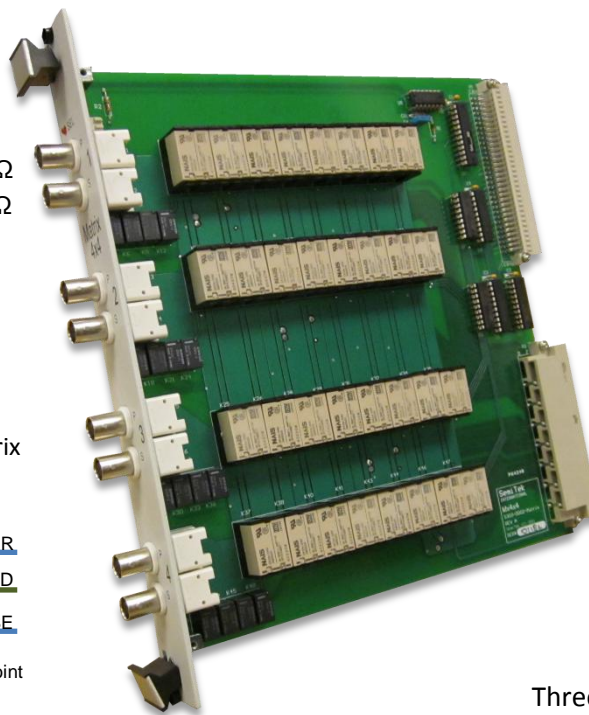


Base unit is expandable to 44 points when configured with 4x4 High-Power matrix cards

High Power 4x4 Kelvin-wire Matrix Card

The switch matrix provides

- The ability to pass 50A and 1500 VDC
- Kelvin-wire Matrix
- Guarded
- Path Resistance <100mΩ
- Isolation Leakage >60GΩ
- Socket-mounted relays for easy maintenance
- Suppression diodes to eliminate relay coil inductive kickback
- Expandable
- Customized switch matrix cards are also available



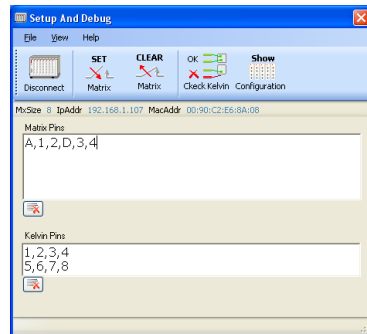
Matrix Switch Point

Functions

Programming is simple and includes the necessary commands to set up and control the matrix.

The SemiTek 303Mx DLL is compatible with National Instruments LabVIEW™ as well as other system design software. A programmer defines the test circuit by specifying the source instrument and measurement meter to use and makes the connection to the Device Under Test through the matrix.

In addition to the DLL Function Calls, the SemiTek 303Mx System includes its own controller for set-up, diagnostics and troubleshooting.

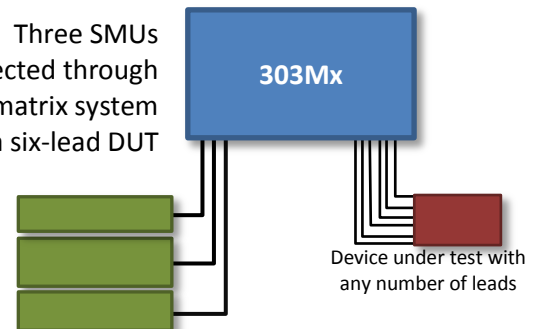


Features

The SemiTek 303Mx High Power Switch Matrix System has many extra features including:

- PC/Windows 7 based operating system
- Friendly graphical user-interface
- DLL Function Calls for use with National Instruments LabVIEW™ or other system design software tools
- Ethernet PC control
- Kelvin-Interlock to check each point's connection ensuring proper hook up
- 6U Enclosure with proprietary high-power backplane interface with room for up to 11 plug-in removable/replaceable cards
- Easily interfaced with external source and measure instruments

Three SMUs connected through the matrix system to a six-lead DUT



Any number of source instruments or measurement meters can be added



870 N. Dorothy Drive, Suite 714
Richardson, Texas USA 75081
(972) 783-8100 Fax (972) 783-8293

e-mail: info@semitek.com

www.semitek.com

303-High Power Matrix System